



Burners for gas, double stage, aluminium frame, fan at high pressurisation, combustion head with adjustment at high efficiency and high flame stability.

Available in the versions Methane (natural gas) or G.P.L. (to specify at the order) on demand specific versions for town gas, coal gas or biogas.

Disposition rationalized of the components with accessibility facilitated for the operations of setting and maintenance.

Gas train complete of working valve double stage with flow adjustment, safety valve, gas pressure switch, filter stabiliser of gas pressure, completely assembled, electrically linked and tested.

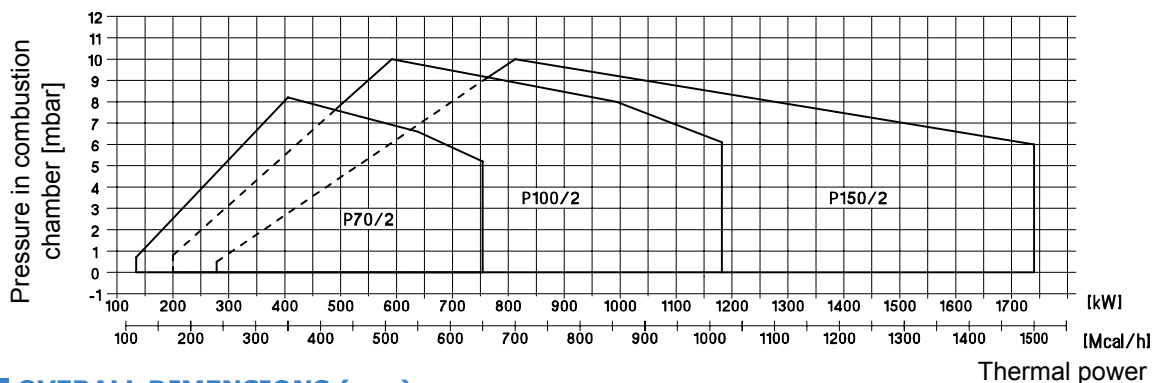
TECHNICAL DATA

MODEL		GAS P70/2	GAS P100/2	GAS P150/2
Thermal power *	Mcal/h	116/350-650	172/500-1000	240/700-1500
Thermal power	kW	135/406-754	200/581-1162	279/814-1744
G20 (NATURAL GAS) Delivery	Nm ³ /h	13.5/41-76	20/58.4-117	28/81.7-175.2
G31 (G.L.P.) delivery	Nm ³ /h	5.2/15.7-29.3	7.8/22.6-45.2	10.8/31.6-67.8
Nominal pressure G20 (NATURAL GAS) **	mbar	31:DN40-22:DN50	37:DN50-25:DN65	38:DN65-32:DN80
Nominal pressure G31 (L.P.G.) **	mbar	36:DN40-31:DN50	49:DN40-41:DN50	45:DN50-38:DN65
Maximum pressure	mbar	200	200	200
Motor power	W	1100	2200	3000
Maximum absorbed power	W	1150	2300	3400
Electrical supply	three-phase 230/400V(-15%+10%) 50Hz			
Level of electrical protection	IP40			
Safety time of control box		≤ 3 sec.	≤ 2 sec.	≤ 2 sec.

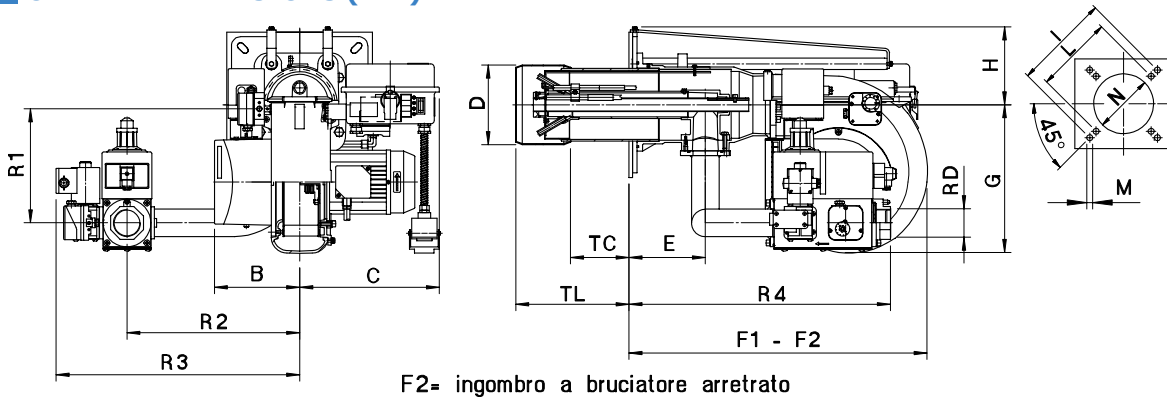
* Minimum of the 1° STAGE/Minimum of the 2° STAGE-Maximum of the 2° STAGE

** Minimum pressure for to get the maximum delivery

OPERATING RANGE: Thermal power - Pressure in combustion chamber



OVERALL DIMENSIONS (mm)



MODEL	B	C	D	E	F1	F2	G	H	I	L	M	N	TC	TL	R1	R2	R3	R4	RD
GAS P70/2-D1"1/2	188	308	175	168	660	1100	327	171	368	340	12	185	250	385	260	380	536	576	Rp.1"1/2-ISO-7/1
GAS P70/2-D2"	188	308	175	168	660	1100	327	171	368	340	12	185	250	385	260	380	536	576	Rp.2"-ISO-7/1
GAS P100/2-D2"	238	372	185	184	660	1160	438	173	368	340	12	195	250	385	260	380	536	591	Rp.2"-ISO-7/1
GAS P100/2-DN65	238	372	185	184	660	1160	438	173	368	340	12	195	250	385	260	380	540	630	DN65-ISO-7005/1-PN16
GAS P150/2-D2"	238	372	210	193	800	1380	438	213	368	340	14	220	280	400	285	380	536	600	Rp.2"-ISO-7/1
GAS P150/2-DN65	238	372	210	193	800	1380	438	213	368	340	14	220	280	400	228	340	500	585	DN65-ISO-7005/1-PN16
GAS P150/2-DN80	238	372	210	193	800	1380	438	213	368	340	14	220	280	400	228	420	590	605	DN65-ISO-7005/1-PN16